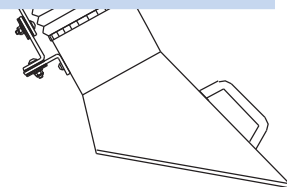
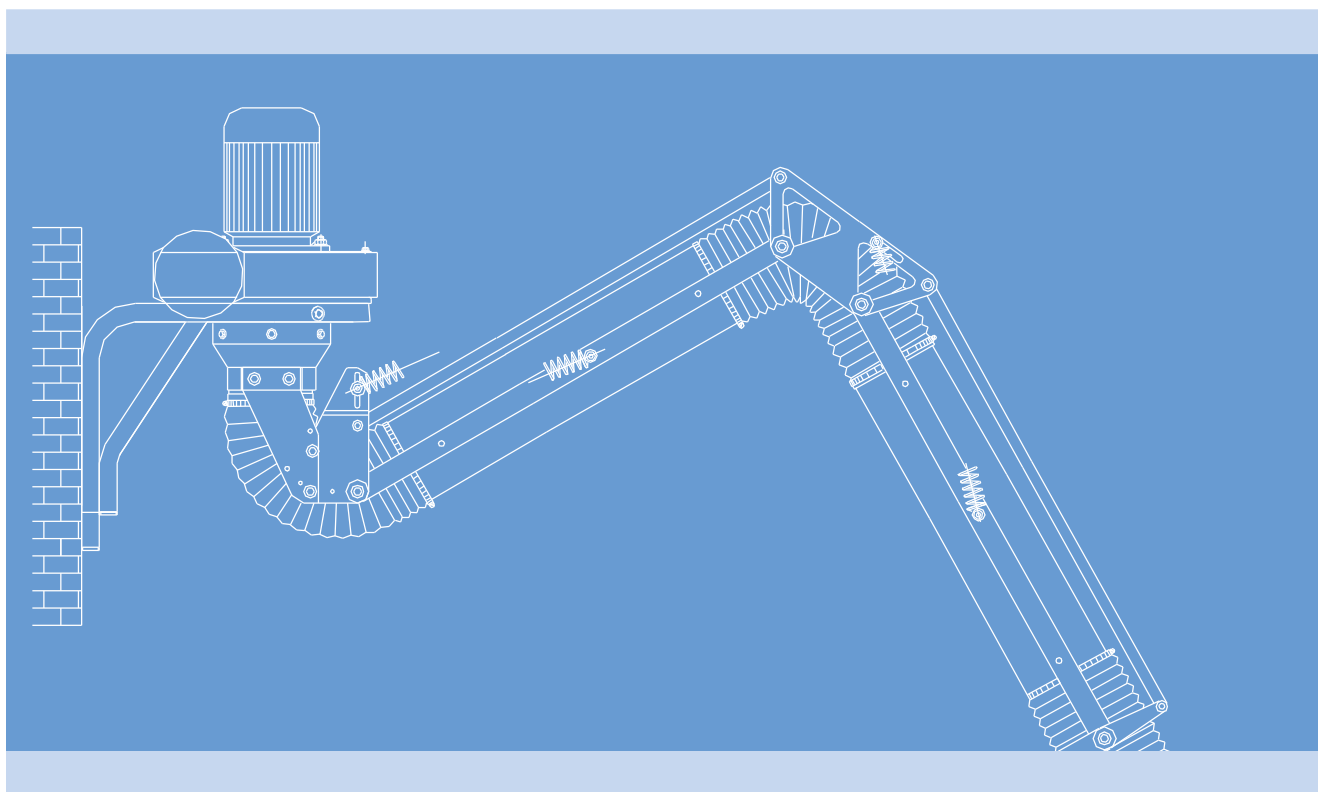




Lankščios nutraukimo rankos EG Serija



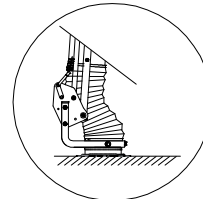
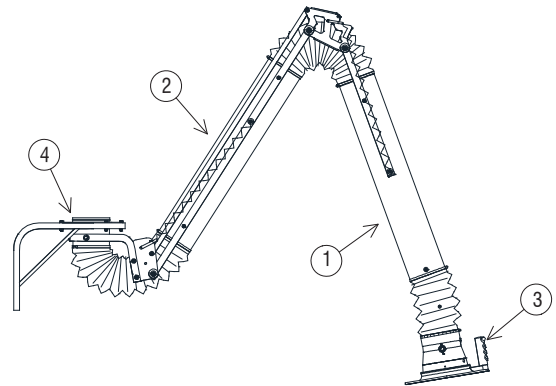
The 2-EDGE (EG Series) suction arm is characterized by a double pantograph structure external to the rigid pipe. It is available, both for HANGING and STANDING installation (ALT.A in figure) in Dia. 160 mm and length from 2 through 4 m.

Hanging version is set up by:

- Double pantograph structure external to the suction air flow (1) with support joint of the hood internal to the suction flow;
- Rigid pipes made of galvanized and painted (RAL3003) plate (2);
- Several layers polymers-lined aluminium hose resisting up to 140°C;
- High Efficiency Hood (3) equipped with rotary screen and in-built handle;
- Wall bracket with fitting (4).

2-EDGE (EG Series) SUCTION ARMS					
		HANGING		STANDING	
Reach (mm)	Pipe Dia. (mm)	CODE	Price €	CODE	Price €
2000	160	EG1216		EG6216	
3000	160	EG1316		EG6316	
4000	160	EG1416		EG6416	

2-EDGE (EG Series) SUCTION ARMS



ALT. A

EGM series complete suction groups consist of 2-EDGE (EG series) arms (1), extraction haust-fans(2) complete with square-round fitting (3) and bracket (4).

Price includes carton box packaging.

EGM Series SUCTION GROUPS						
Arm Code	Reach (mm)	Pipe Dia. (mm)	Extractor Fan Code	Airflow (Nm ³ /h)	CODE	Price €
EG1216	2000	160	JM1250	1250	EGM112	
EG1316	3000	160	JM1250	1250	EGM113	
EG1416	4000	160	JM1250	1250	EGM114	

EGM Series COMPLETE SUCTION GROUPS

