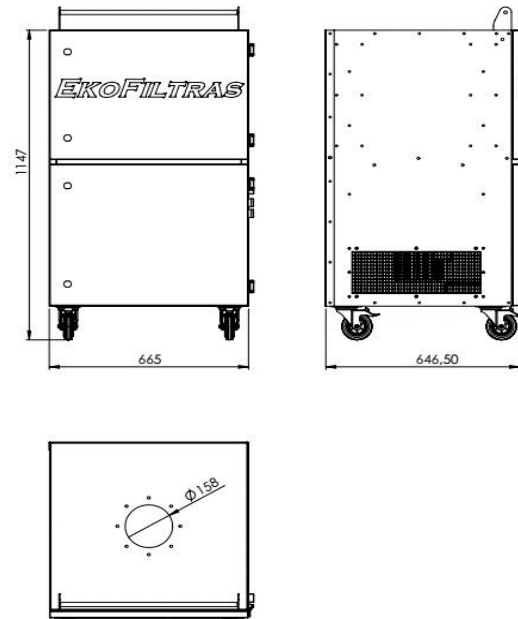


Welding smoke filtration unit EKO FM 1500

EKO FM 1500 mobile type units designed for small amount smoke, for periodic work. EKO FM 1500 unit max. air flow 1200m³/h. Suction arm can be rotated 360°. EKO FM 1500 unit have filter contamination indication.



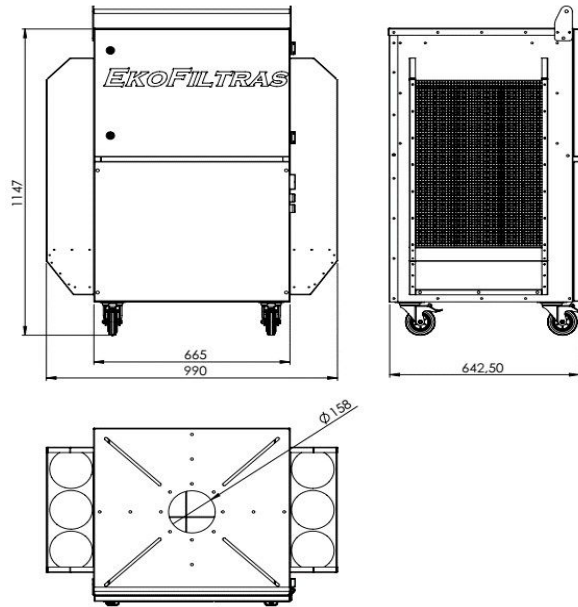
Technical data:

Maximal airflow, m ³ /h	1200
Motor power, kW	1,1
Voltage	1x230 VAC / 50 Hz
Working pressure, Pa	1400
Weight, kg	81
Suction arm pcs.	1
Suction arm dimension	D160 L-3000m
Filters:	
1-st stage: Grease filters	
2-nd stage: Panel filter F5 class.	
3-rd stage: Panel filter F9 class.	
4-th stage: AC carbon filter panels.	
Price eur without VAT.	-

- The pictures show standard equipmen.
- Non-standard dimensions are available, or variants of special modifications
- UAB EkoFiltras the manufacturer reserves the right to improve technical parameters or dimensions without prior notice.

Welding smoke filtration units EKO FM 1500+

EKO FM 1500+ mobile type units with activated carbon cartridges. EKO FM 1500+ type units designed for small amount smoke, for periodic work. . EKO FM 1500+ unit max. air flow 1200m³/h. Suction arm can be rotated 360°. EKO FM 1500+ unit have filter contamination indication.



Technical data:

Maximal airflow, m ³ /h	1200
Motor power, kW	1,5
Voltage	1x230 VAC / 50 Hz
Working pressure, Pa	1400
Weight, kg	108
Suction arm pcs.	1
Suction arm dimension	D160 L-3000m
Filters:	
1-st stage: Grease filters.	
2-nd stage: Panel filter F5 class.	
3-rd stage: Panel filter F9 class.	
4-th stage: Activated carbon cartridges.	
Price eur without VAT.	-

- The pictures show standard equipmen.
- Non-standard dimensions are available, or variants of special modifications
- UAB EkoFiltras the manufacturer reserves the right to improve technical parameters or dimensions without prior notice.