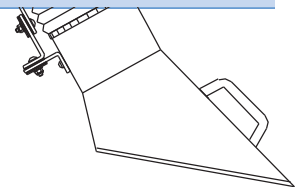
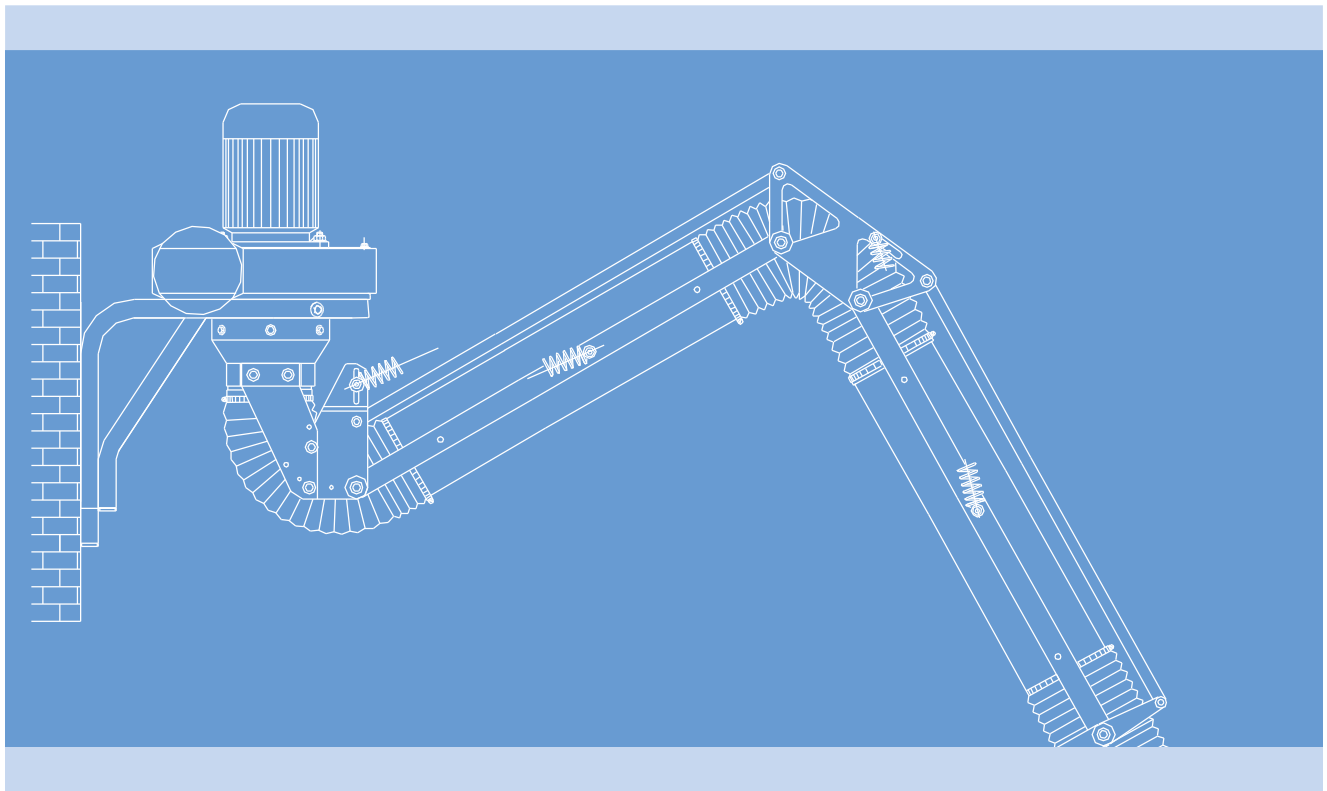
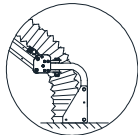
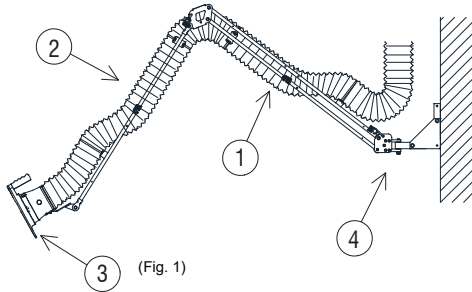




# Lanksčios nutraukimo rankos EH Serija



### FLEX-H (EH Series) SUCTION ARMS



ALT. A

FLEX-H (EH Series) suction arms feature entirely flexible hose supported by a single pantograph external rigid structure.

FLEX-H (EH Series) arms are available in the models with a nominal reach of 2, 3 and 4 m, in 100 mm, 125 mm and 160 mm diameters.

They can be either wall mounted (HANGING) or table mounted or installed on portable extractors (STANDING) (ALT A in figure).

FLEX-H (EH Series) arms are essentially made up of:

- Single pantograph supporting structure outside the extraction air flow (1);
- Flexible tubing throughout their length (2);
- High Efficiency Hood (3) for Dia. 160 mm, Hood with Rotating Handle for Dia. 100-125 mm arms (see page 15);
- Column bracket (4), which allows the arm to be supported without a base plate.

FLEX-H (EH Series) SUCTION ARMS			
INSTALLATION		HANGING / STANDING	
Reach (mm)	Pipe Dia. (mm)	CODE	Price €
2000	100	<b>EH0210</b>	
2000	125	<b>EH0212</b>	
2000	160	<b>EH0216</b>	
3000	100	<b>EH0310</b>	
3000	125	<b>EH0312</b>	
3000	160	<b>EH0316</b>	
4000	100	<b>EH0410</b>	
4000	125	<b>EH0412</b>	
4000	160	<b>EH0416</b>	

### FLEX-J (EJ Series) and FLEX-H (EH Series) SUCTION ARMS SPECIAL VERSIONS

Both FLEX-J (EJ Series) and FLEX-H (EH series) suction arms come in special version based on the specific requirements of the customer.

The main versions available are:

- EJL and EHI Full Stainless Steel version: made entirely of AISI 316 stainless steel (bracket, hood, springs, pantographs, and bolts and screws). Flexible polyurethane hose.
- EJX and EHX Atex version (fig.2): made with a galvanized steel hood and antistatic flexible hose, ATEX 2014/34/UE standard approved EX Group II Category 2 Zone 1 and 21 (Gas/Dust). Also available the EJY and EHY version EX Group II Category 3 Zone 2 and 22.
- EJX.../II and EHX.../II Atex Inox version: made entirely of AISI 316 stainless steel, ATEX 2014/34/UE standard approved EX Group II Category 2 Zone 1 and 21 (Gas/Dust).

Nm<sup>3</sup>/h

