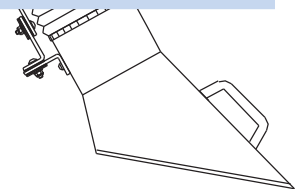
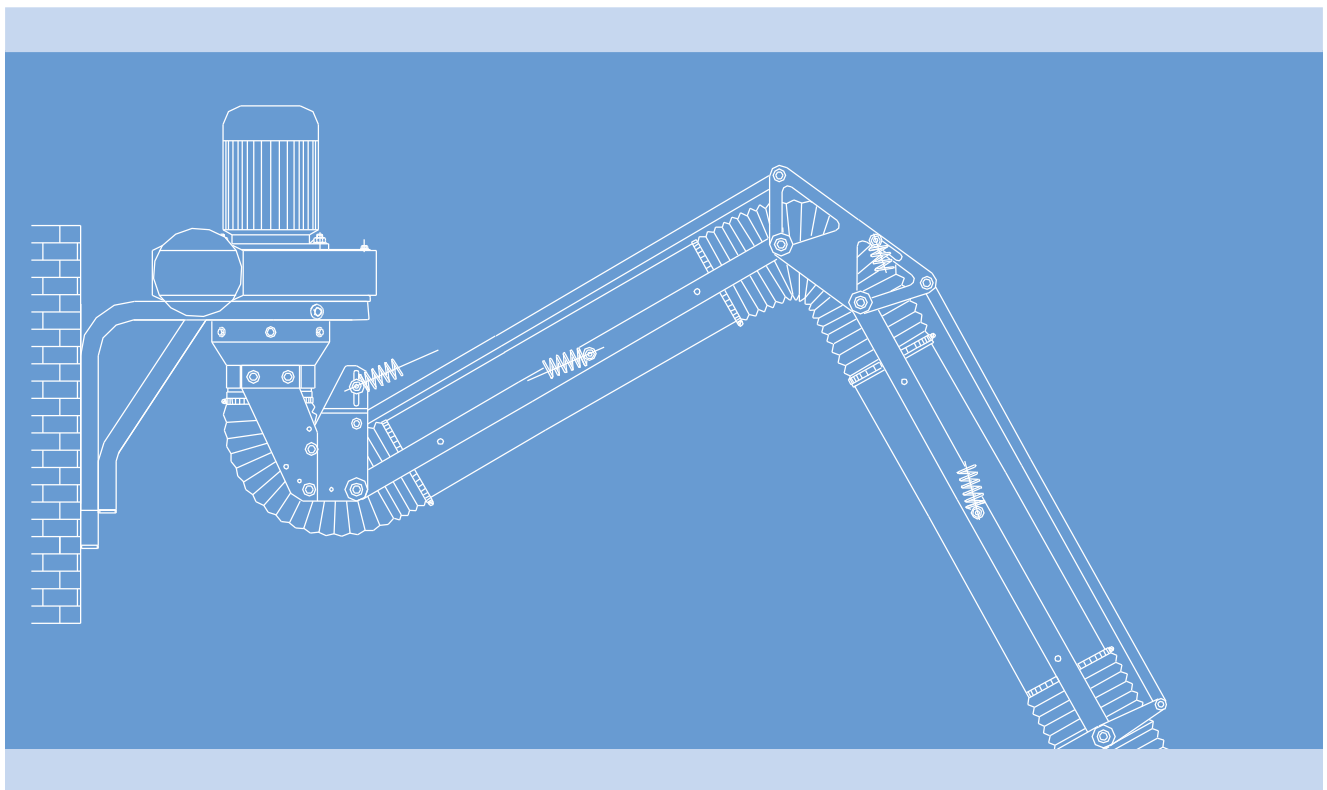


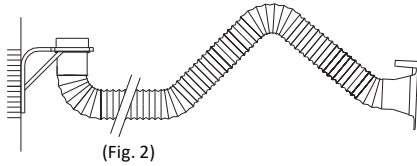
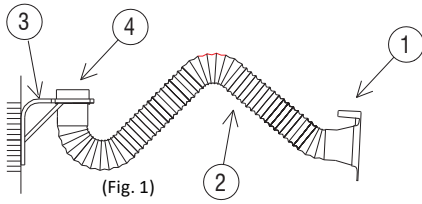


Lanksčios nutraukimo rankos

EK Serija



FLEX-K (EK Series) SUCTION ARMS



ALT. A

FLEX-K (EK Series) suction arm is characterized by a entirely flexible hose supported by a single pantograph internal rigid structure.

It is available in Dia. 160mm and in a range of lengths from 2 to 5 meters.

The FLEX-K (EK Series) single pantograph arm is available for both HANGING and STANDING installation (ALT. A in figure), in the models with a nominal reach of 2, 3, 4 and 5 m and in the range with or without horizontal extension (figures 2 and 1 respectively).

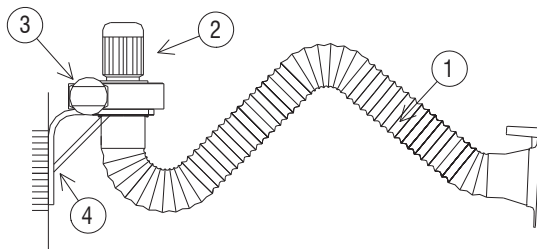
Hanging version is set up by:

- Single pantograph supporting structure inside the extraction air flow;
- Flexible tubing throughout its length (2);
- Plastic hood (1) with rotating shield, and built-in handle;
- Revolving base plate with friction rings Dia. 160 mm;
- Wall bracket (3) with fitting (4).

FLEX-K (EK Series) SUCTION ARMS

| Reach (mm) | Pipe Dia.(mm) | Joints (mm) | Fig. | HANGING | | STANDING | |
|------------|---------------|-------------|------|---------|---------|----------|---------|
| | | | | CODE | Price € | CODE | Price € |
| 2000 | 160 | no | 1 | EK0216 | | EK6216 | |
| 3000 | 160 | no | 1 | EK0316 | | EK6316 | |
| 3000 | 160 | 1000 | 2 | EK1316 | | - | |
| 4000 | 160 | no | 1 | EK0416 | | EK6416 | |
| 4000 | 160 | 1000 | 2 | EK1416 | | - | |
| 4000 | 160 | 2000 | 2 | EK2416 | | - | |
| 5000 | 160 | 2000 | 2 | EK2516 | | - | |

EKM - EKN Series COMPLETE SUCTION GROUPS



Series EKM and EKN complete suction groups consist of FLEX-K (EK series) arms (1), exhaust-tractor fans (2) complete with square-round fitting (3) and bracket (4).
Price includes carton box packaging

EKM and EKN series SUCTION GROUPS

| Airflow (Nm ³ /h) | Extractor Fan Code | Reach (mm) | Pipe Dia. (mm) | Arm Code | CODE | Price € |
|------------------------------|--------------------|------------|----------------|----------|--------|---------|
| 750 | JM0750 | 2000 | 160 | EK0216 | EKM432 | |
| 750 | JM0750 | 3000 | 160 | EK0316 | EKM433 | |
| 750 | JM0750 | 4000 | 160 | EK1416 | EKM444 | |
| 750 | JM0750 | 5000 | 160 | EK2516 | EKM445 | |
| 1250 | JN1250 | 2000 | 160 | EK0216 | EKN432 | |
| 1250 | JN1250 | 3000 | 160 | EK0316 | EKN433 | |
| 1250 | JN1250 | 4000 | 160 | EK1416 | EKN444 | |
| 1250 | JN1250 | 5000 | 160 | EK2516 | EKN445 | |