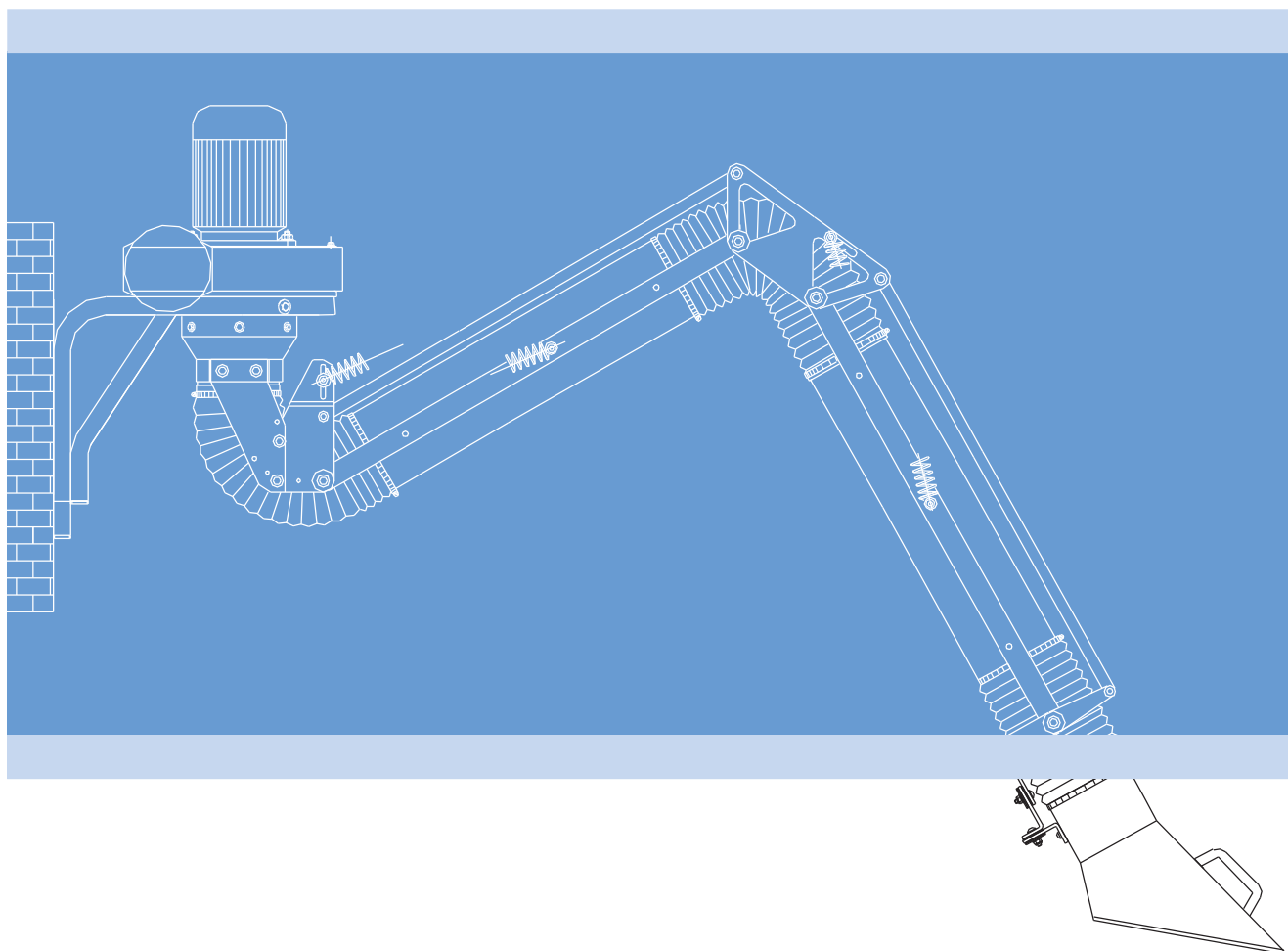




Lanksčios nutraukimo rankos

EP Serija



4-PRO (EP Series) SUCTION ARMS

4-PRO (EP Series) suction arm is characterized by a quadruple pantograph structure completely outside to the exhausted air flow and by rigid steel plate painted pipes. It is available in the **INDUSTRY** model (from Dia. 125 to 250 mm and lengths from 2 to 4 meters) and in the **LAB** model (Dia. 100 and 125 mm, lengths 1 and 2 meters).

4-PRO (EP Series) suction arm is available both for **HANGING** (wall-mounted) and **STANDING** installation (secured to a table or trolley-mounted suction units) (ALT. A in figure).

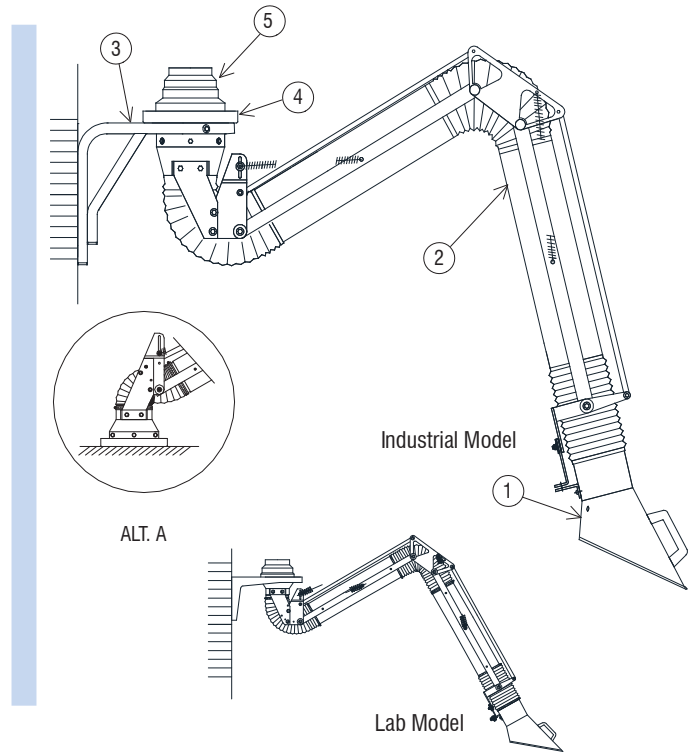
Hanging installation arm is essentially consisting of:

- Quadruple pantograph supporting structure;
- Rigid suction pipes (2) made of galvanized steel plate, RAL 3003 painted;
- Revolving base plate with friction rings;
- Hot fumes hood (1) made of painted steel plate;
- PVC-lined hose; operating temperature -20° C through +90° C;
- Wall bracket (3), counter flange (4) and multi-diameter fitting (5);

Standing arm, obviously, does not include wall bracket, counter flange and multi-diameter fitting.

Airbravo 4-PRO suction arm is available in 5 versions created to comply with different application requirements for laboratory and industrial environment:

<ul style="list-style-type: none"> • Standard • Stainless Steel • High Temperature • Polypropylene • Atex 	<ul style="list-style-type: none"> EP Series EPI Series EPU Series EPP Series EPX and EPY Series
--	---



Each version, further, has several variants as specified on page 5.

STANDARD VERSION

Standard version is available in different models from Dia. 100 through 250 mm with lengths from 1 through 4 meter.

4-PRO STANDARD ARMS - EP			HANGING		STANDING	
Reach (mm)	Pipe Dia. (mm)	Pivot. Flange Dia.(mm)	CODE	Price €	CODE	Price €
LAB MODEL						
1000	100	125	EP1110		EP6110	
1000	125	125	EP1112		EP6112	
2000	100	125	EP1210		EP6210	
2000	125	125	EP1212		EP6212	
INDUSTRIAL MODEL						
2000	125	200	EP1213		EP6213	
2000	160	200	EP1216		EP6216	
2000	200	200	EP1220		EP6220	
2000	250	200	EP1225		EP6225	
2000	250	250	EP1226		EP6226	
3000	125	200	EP1312		EP6312	
3000	160	200	EP1316		EP6316	
3000	200	200	EP1320		EP6320	
3000	250	200	EP1325		EP6325	
3000	250	250	EP1326		EP6326	
4000	125	200	EP1412		EP6412	
4000	160	200	EP1416		EP6416	
4000	200	200	EP1420		EP6420	
4000	250	200	EP1425		EP6425	
4000	250	250	EP1426		EP6426	

RIGID PIPE SUCTION ARMS

4-PRO (EP Series) SUCTION ARMS SPECIAL VERSIONS



4-PRO (EP Series) SPECIAL VERSIONS

POLYPROPYLENE

Made with polypropylene rigid pipes and polyurethane and provided with continuous hoses through base. Dust/Vapor hood is also made of polypropylene.

4-PRO POLYPROPYLENE ARMS - EPP Series				HANGING
Reach (mm)	Pipe Dia.(mm)	Piv. Flange Dia.(mm)	CODE	Price €
LAB MODEL				
1000	110	125	EPP1110	
1000	125	125	EPP1112	
2000	110	125	EPP1210	
2000	125	125	EPP1212	
INDUSTRIAL MODEL				
2000	125	200	EPP1213	
2000	160	200	EPP1216	
2000	200	250	EPP1220	
2000	250	200	EPP1225	
2000	250	250	EPP1226	
3000	125	200	EPP1312	
3000	160	200	EPP1316	
3000	200	250	EPP1320	
3000	250	200	EPP1325	
3000	250	250	EPP1326	
4000	125	200	EPP1412	
4000	160	200	EPP1416	
4000	200	250	EPP1420	
4000	250	200	EPP1425	
4000	250	250	EPP1426	

HIGH TEMPERATURES

Suitable to stand up to 300°C. Made with rigid pipes and galvanized steel hood. Also available, variants for 450° and 650° C limit temperatures.

4-PRO HIGH TEMPERATURES ARMS - EPU Series				HANGING
Reach (mm)	Pipe Dia.(mm)	Piv. Flange Dia.(mm)	CODE	Price €
LAB MODEL				
1000	100	125	EPU1110	
1000	125	125	EPU1112	
2000	100	125	EPU1210	
2000	125	125	EPU1212	
INDUSTRIAL MODEL				
2000	125	200	EPU1213	
2000	160	200	EPU1216	
2000	200	200	EPU1220	
2000	250	200	EPU1225	
2000	250	250	EPU1226	
3000	125	200	EPU1312	
3000	160	200	EPU1316	
3000	200	200	EPU1320	
3000	250	200	EPU1325	
3000	250	250	EPU1326	
4000	125	200	EPU1412	
4000	160	200	EPU1416	
4000	200	200	EPU1420	
4000	250	200	EPU1425	
4000	250	250	EPU1426	

STAINLESS STEEL

Entirely made of AISI 316 STAINLESS STEEL: rigid pipes, base plate, hood, springs, pantographs and screws. Polyurethane hoses.

4-PRO STAINLESS STEEL ARMS - EPI Series				HANGING
Reach (mm)	Pipe Dia.(mm)	Piv. Flange Dia.(mm)	CODE	Price €
LAB MODEL				
1000	100	125	EPI1110	
1000	125	125	EPI1112	
2000	100	125	EPI1210	
2000	125	125	EPI1212	
INDUSTRIAL MODEL				
2000	125	200	EPI1213	
2000	160	200	EPI1216	
2000	200	200	EPI1220	
2000	250	200	EPI1225	
2000	250	250	EPI1226	
3000	125	200	EPI1312	
3000	160	200	EPI1316	
3000	200	200	EPI1320	
3000	250	200	EPI1325	
3000	250	250	EPI1326	
4000	125	200	EPI1412	
4000	160	200	EPI1416	
4000	200	200	EPI1420	
4000	250	200	EPI1425	
4000	250	250	EPI1426	

ATEX

Made with rigid pipes and galvanized steel hood and anti-static hose. Complies to ATEX 2014/34/UE Group II Category 2 Zones 1-21 D/G (EPX Series) or Category 3 Zones 2-22 (EPY Series) regulations.



4-PRO ATEX ARMS - EPX and EPY Series				HANGING
Reach (mm)	Pipe Dia.(mm)	Piv. Flange Dia.(mm)	CODE	Price €
LAB MODEL				
1000	100	125	EPX1110	
1000	125	125	EPX1112	
2000	100	125	EPX1210	
2000	125	125	EPX1212	
INDUSTRIAL MODEL				
2000	125	200	EPX1213	
2000	160	200	EPX1216	
2000	200	200	EPX1220	
2000	250	200	EPX1225	
2000	250	250	EPX1226	
3000	125	200	EPX1312	
3000	160	200	EPX1316	
3000	200	200	EPX1320	
3000	250	200	EPX1325	
3000	250	250	EPX1326	
4000	125	200	EPX1412	
4000	160	200	EPX1416	
4000	200	200	EPX1420	
4000	250	200	EPX1425	
4000	250	250	EPX1426	

o. r. = on request

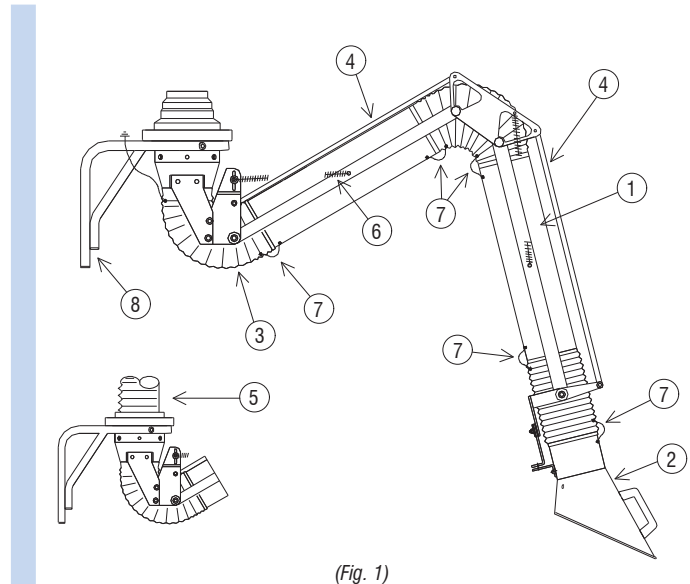
GUIDE TO COMPONENT VARIATIONS

FOR VERSIONS: STANDARD | STAINLESS STEEL | POLYPROPYLENE | HIGH TEMPERATURES | ATEX

All 4-PRO (EP series) arms and HALF-ARMS (EPH series), standard and special, can include different variations based on specific customer requirements. Possible variations concern almost all Arm components.

POSSIBLE VARIATIONS

- ① Rigid pipe
- ② Hood
- ③ Hose
- ④ Pantograph structure
- ⑤ Pass through base
- ⑥ Balance springs
- ⑦ Ground cables
- ⑧ Wall bracket



(Fig. 1)

SUMMARY GUIDE TO VARIATIONS

The following table lists possible variations showing, each time, arm elements differentiating from basic version, with reference to Fig. 1

AVAILABLE VERSIONS							
VARIATIONS	CODE	Ref. Variation	Standard EP	Stainless steel EPI	Polypropylene EPP	High temperatures EPU	Atex EPX
RIGID PIPES AND HOOD VARIATIONS							
Stainless steel	.../I	1-2	X	Std	n.a.	n.a.	X
Polypropylene	.../P	1-2(*)	X	X	Std	n.a.	n.a.
Galvanized	.../G	1-2	X	n.a.	n.a.	n.a.	Std
Painted (1)	.../O	1	Std	n.a.	n.a.	n.a.	n.a.
HOSES AND HOOD VARIATIONS							
Medium temp. 180°	.../T	2-3	X	X	n.a.	n.a.	n.a.
High temp. 450°	.../H	3	n.a.	n.a.	n.a.	X	n.a.
Polyurethane	.../C	3	X	Std	Std	n.a.	X
COMPLEX VARIATIONS							
All stainless steel	.../II	1-2-4-6-8	see EPI	Std	n.a.	X	X
All Polypropylene	.../PP	1-2-5(*)	see EPP	n.a.	Std	n.a.	X
Antistatic	.../X	1-2-3-7	X	X	n.a.	n.a.	Std
High temp. 650°	.../J	1-2-3	n.a.	n.a.	n.a.	X	n.a.
Balanced	.../B(**)	2-6	X	X	X	X	X

(*) = Dust hood version only (**) = For lab arms model hood max weight 1,5 kg

(1) = Colour RAL 3003; list of other colours on request

Std = Standard equipment for selected model

X = Available Variation

n.d. = Variation not available

Examples: **EPX1316/I ARM** = EP1316 Atex Arm with rigid pipe and hood in stainless steel
EPI1420/P ARM = EP1420 Arm in stainless steel with rigid pipe and hood in Polypropylene
EPU1220/II ARM = EP1220 high temperatures Arm with rigid pipe, hood, pantograph and wall bracket in stainless steel