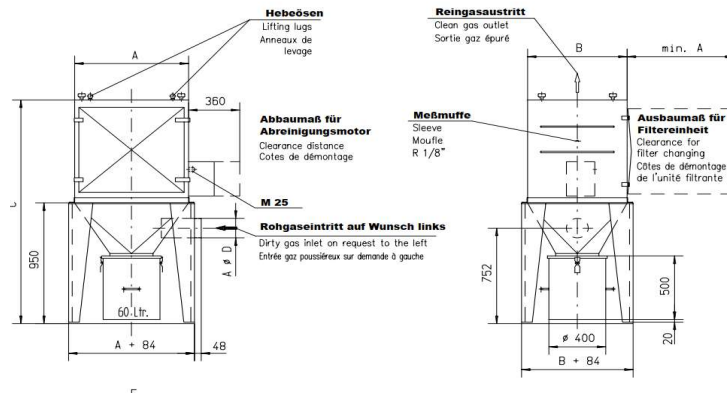


## DUST FILTRATION UNITS EKO AM

AM type dust filtration units are for dry, bulk, fine dust. These units are suitable for to work with interrupted. AM type units has automatic filter cleaning system.



		AM 063	AM133	AM 233	AM303	AM453
Rec. Max. Air flow rate m <sup>3</sup> /h		700	1500	2400	3000	4500
Max. pressure, Pa		3500				
Air inlet dimension, mm		140	160	250	250	315
Air outlet dimension, mm		200	200	250	250	315
Filter pads, units		13	19	22	25	25
Filter area, m <sup>2</sup>		6	13	23	30	45
Filter material		Cutton*				
Dust collection		60L				
Weight kg		140	190	255	270	320
Units dimension, mm	A	600	800	900	1000	1000
	B	600	700	990	945	945
	C	1660	1760	1760	1916	2340
	E	450	650	750	850	850
	F	450	550	840	795	795
Filter cleaning		Mechanical vibro cleaning				
<b>Price eur witout VAT.</b>		<b>-</b>	<b>4904</b>	<b>5747</b>	<b>6360</b>	<b>7256</b>

\*Filter material can be selected according to dust type.

- Automation supplied on request, not included in the price.
- The pictures show standard equipment.
- UAB EkoFiltras the manufacturer reserves the right to improve technical parameters or dimensions without prior notice.